

COMPONENT IDENTIFIER
(REFERENCE ONLY)

MM	IN
1005	0402
1608	0603
2012	0805
3216	1206
3225	1210
5025	2010
6032	TANC
6332	2512

REVISIONS

LTR	DESCRIPTION	ECO	DATE	APPR
A	NEW DRAWING	---	8/12/15	L.TOMCZAK
B	ADD FIDUCIALS & LED; PRODUCTION RELEASE	1603085	3/8/16	L.TOMCZAK
B1	MOVE CONN MATES & JUMPERS TO TOP ASSY	1604804	4/11/16	L.TOMCZAK

Spare Gate Table

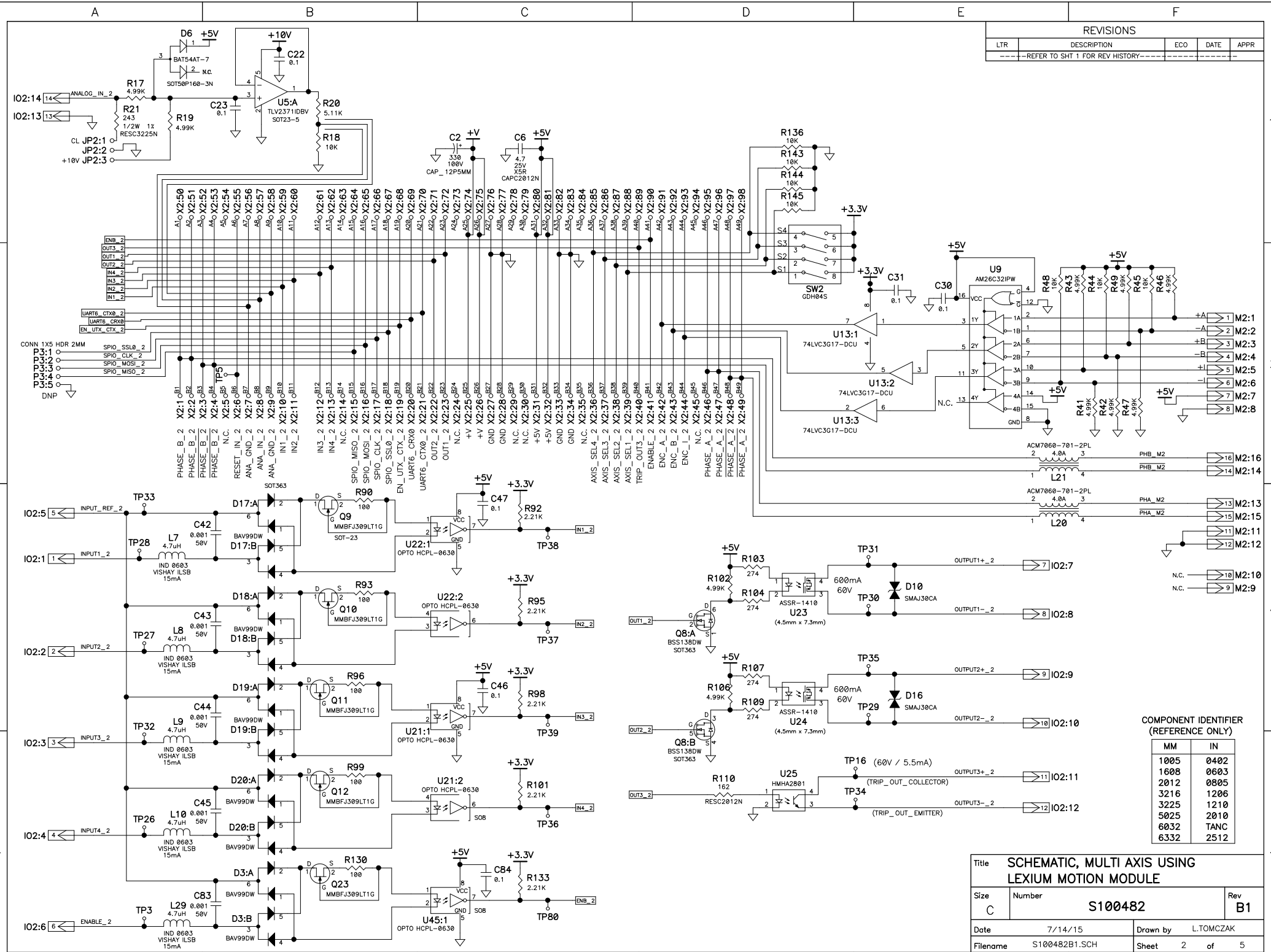
Last Used	Not Used	Spare Gates
C90	C79	
D36		
I04		
J1		
JP4		
L32		
M4		
P5		
Q26		
R161		
SW4		
TP86		
U47	U43	U44:2, U45:2, U46:2, U47:2
VR1		
X4		

NOTES:
1. UNLESS OTHERWISE SPECIFIED:
ALL RESISTORS ARE '0402' CASE SIZE, VALUES IN OHMS, 1/16W, 1% TOL.
ALL CAPACITORS ARE '0402' CASE SIZE, VALUES IN MICROFARADS, 10% TOL.

Title SCHEMATIC, MULTI AXIS USING LEXIUM MOTION MODULE

Size C	Number S100482	Rev B1
Date 7/14/15	Drawn by L.TOMCZAK	
Filename S100482B1.SCH	Sheet 1 of 5	

REVISIONS				
LTR	DESCRIPTION	ECO	DATE	APPR
--- REFER TO SHT 1 FOR REV HISTORY ---				

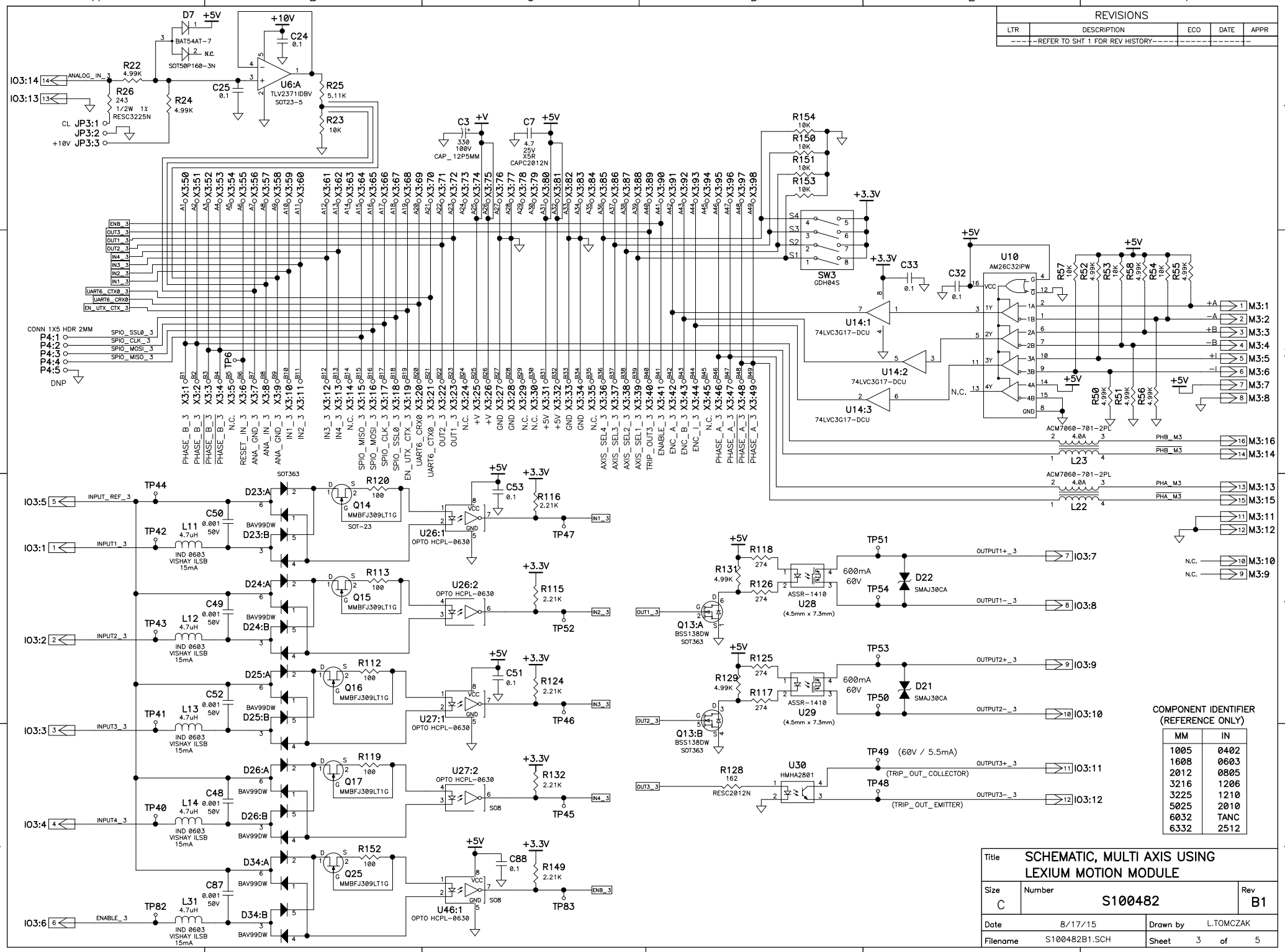


COMPONENT IDENTIFIER
(REFERENCE ONLY)

MM	IN
1005	0402
1608	0603
2012	0805
3216	1206
3225	1210
5025	2010
6032	TANC
6332	2512

Title	SCHEMATIC, MULTI AXIS USING LEXIUM MOTION MODULE		
Size	Number	Rev	
C	S100482	B1	
Date	7/14/15	Drawn by	L.TOMCZAK
Filename	S100482B1.SCH	Sheet	2 of 5

REVISIONS				
LTR	DESCRIPTION	ECO	DATE	APPR
--- REFER TO SHT 1 FOR REV HISTORY ---				

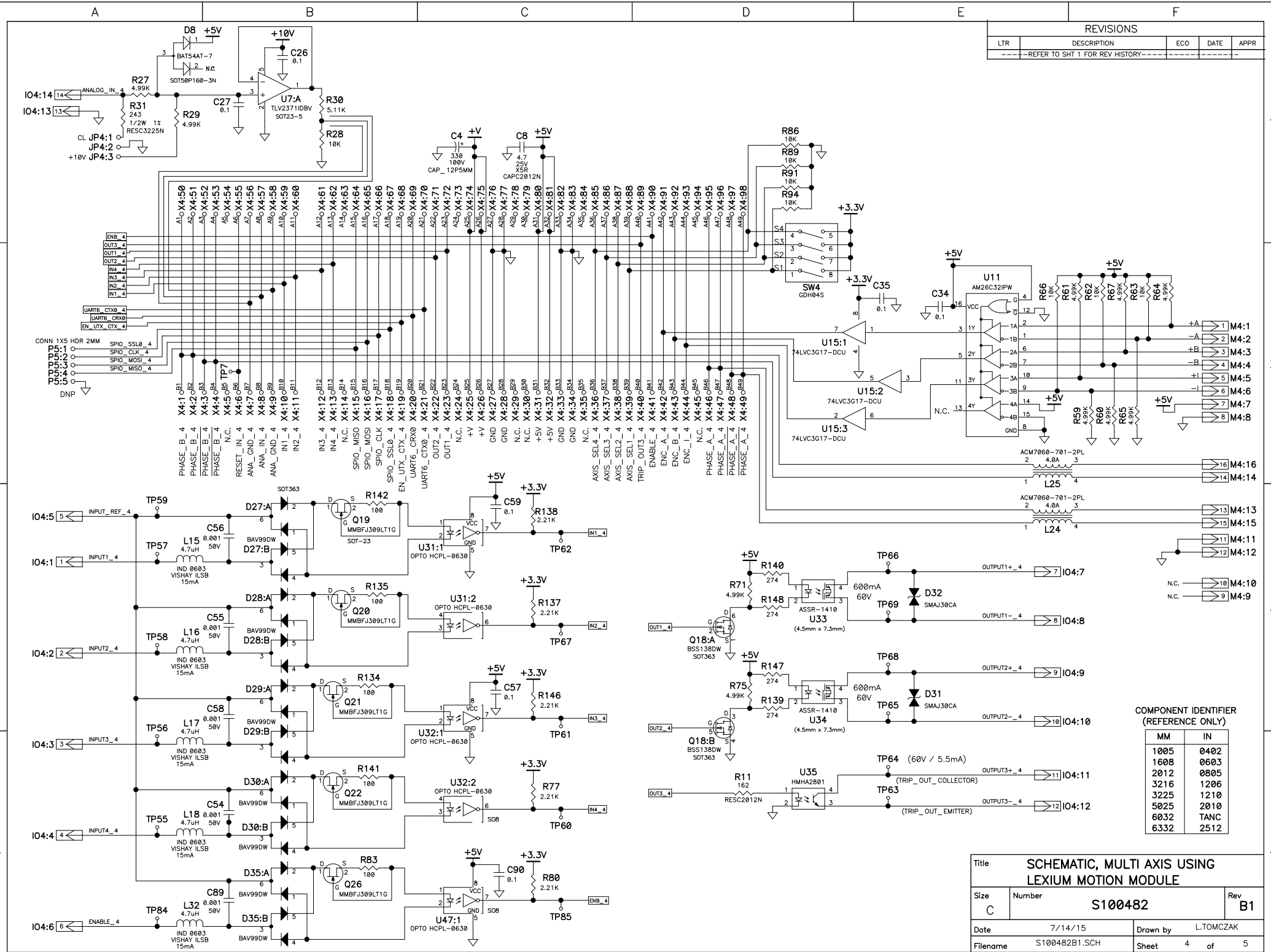


COMPONENT IDENTIFIER
(REFERENCE ONLY)

MM	IN
1005	0402
1608	0603
2012	0805
3216	1206
3225	1210
5025	2010
6032	TANC
6332	2512

Title				SCHEMATIC, MULTI AXIS USING LEXIUM MOTION MODULE	
Size	Number	S100482		Rev	B1
Date	8/17/15	Drawn by	L.TOMCZAK		
Filename	S100482B1.SCH	Sheet	3	of	5

REVISIONS				
LTR	DESCRIPTION	ECO	DATE	APPR
-----REFER TO SHT 1 FOR REV HISTORY-----				

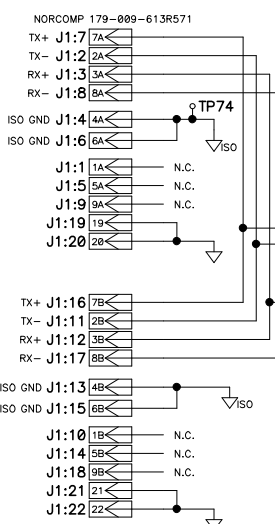
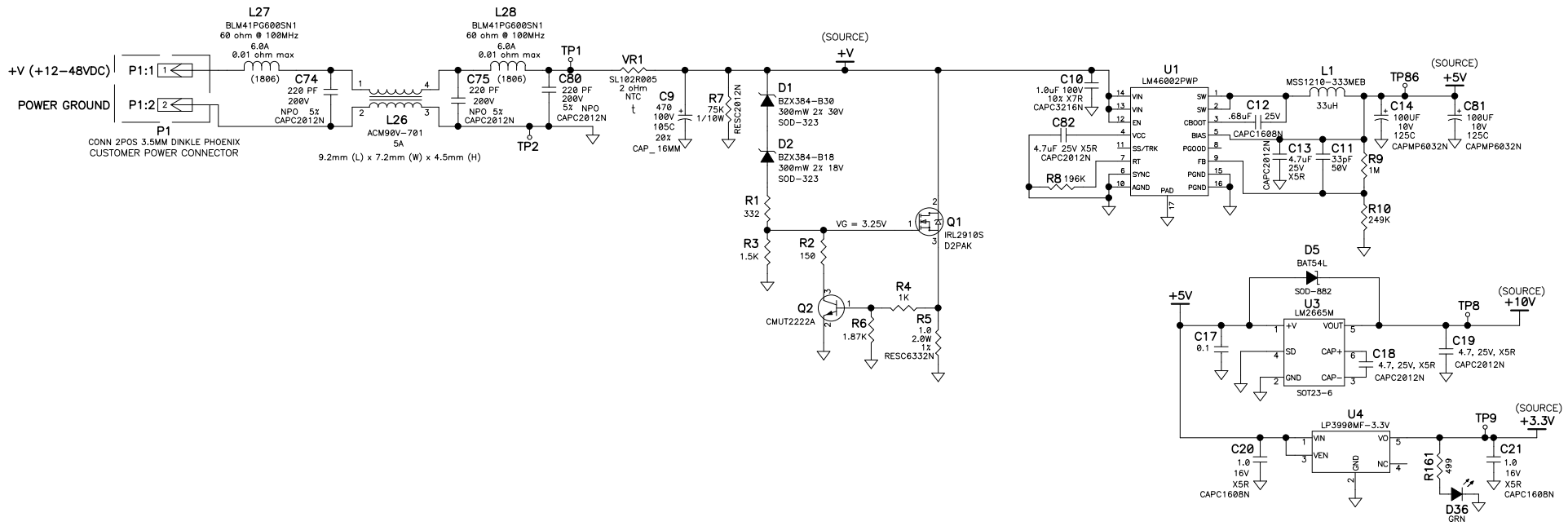


COMPONENT IDENTIFIER
(REFERENCE ONLY)

MM	IN
1005	0402
1608	0603
2012	0805
3216	1206
3225	1210
5025	2010
6032	TANC
6332	2512

Title SCHEMATIC, MULTI AXIS USING LEXIUM MOTION MODULE			
Size C	Number S100482	Rev B1	
Date 7/14/15	Drawn by L.TOMCZAK		
Filename S100482B1.SCH	Sheet 4 of 5		

LTR	DESIGN REVISIONS	ECO	DATE	APPR
---REFER TO SHT 1 FOR REV HISTORY---				



COMPONENT IDENTIFIER
(REFERENCE ONLY)

MM	IN
1005	0402
1608	0603
2012	0805
3216	1206
3225	1210
5025	2010
6032	TANC
6332	2512

Title			
SCHEMATIC, MULTI AXIS USING LEXIUM MOTION MODULE			
Size	Number	Rev	
C	S100482	B1	
Date	7/14/15	Drawn by	L.TOMCZAK
Filename	S100482B1.SCH	Sheet	5 of 5