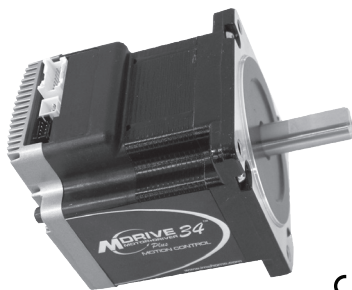


Quick Reference

MDrive® 34 Motion Control with Pluggable Connectors



Notes and Warnings

Installation, configuration and maintenance must be carried out by qualified technicians only.

- Unexpected dangers may be encountered when working with this product!
- Incorrect use may destroy this product and connected components!
- The drives are not protected from reverse polarity power connection!

Detailed information on installation can be found in the user manuals. The user manuals are available for download from: <https://novantaims.com/downloads/>

Required for Setup*

- IBM compatible PC running Microsoft® Windows 7 or higher with available USB port.
- SEM Terminal integrated program editor and terminal emulator (available online).
- Monitor with a minimum of 1024 x 768 resolution.
- +12 to +75 VDC linear or switching power supply.
- RS-422/485 communications interface (e.g., MD-CC402-001 Communication Converters). Or CANopen communications converter (e.g., MD-CC500-000).

Depending on the MDrive connectors configuration, the following may be required:

- Power interface to 2-pin wire crimp connector (e.g., PD02-3400-FL3 prototype development cable).
- I/O interface to 14-pin or 20-pin wire crimp connector (e.g., PD14-2334-FL3 or PD20-3400-FL3 prototype development cables).

* If the MDrive is purchased with a QuickStart Kit, all the connecting cables needed for initial functional setup and system testing are included.

Getting Started

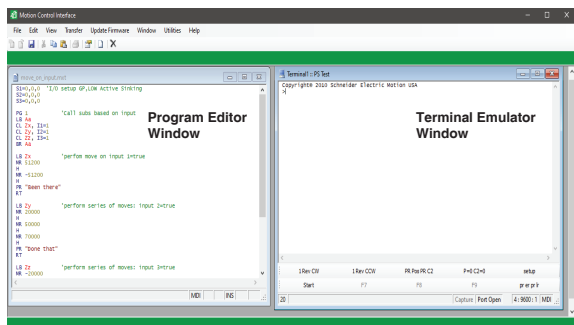
All documentation, software and resources are available online at: <https://novantaims.com/downloads/>.

Connecting Power and I/O

The MDrive can be configured with power and I/O combined on a single connector. Refer to the "Motion Control Connectivity Options" on page 2 for connection details and available connectivity options, including Prototype Development Cables and Mating Connector Kits.

Connecting Communications — RS-422/485

1. Connect RS-422/485 communications converter to MDrive and PC.
2. Install the communication converter drivers onto PC (available online).
3. Install and open SEM Terminal.
4. Apply power to MDrive.
5. Within SEM Terminal, click into the Terminal Window (shown below).
6. Key in CTRL+C. The MDrive sign-on message: "Copyright XXXX Schneider Electric Motion USA." should appear, verifying that communications is active.



Connecting Communications — CANopen

A "Getting Started" tutorial using the CANopen Tester GUI with the MD-CC500-000 USB to CANopen dongle is located in the CANopen implementation manual, available online at: <https://novantaims.com/downloads/>

General Specifications

Electrical Specifications	
Input Voltage (+V) Range*	+12 to +75 VDC
Max Power Supply Current (Per MDrive 34)*	4 A
Aux-Logic Input Voltage**	+12 to +24 VDC
Aux-Logic Input Current**	194 mA Max

*Actual Power Supply Current will depend on voltage and load.
**Used to power logic circuitry in the absence of +V.

Environmental Specifications	
Operating Temperature (non-condensing)	Heat Sink: -40°C to +75°C Motor: -40°C to +90°C
IP-rated sealing	IP20

I/O Specifications	
General Purpose I/O - Number and Type	
I/O Points 1-4, 9-12	8 I/O programmable as inputs or outputs (sinking or sourcing)
General Purpose I/O - Electrical	
Inputs	TTL up to +24 VDC
Sinking Outputs	Up to +24 VDC
Sourcing Outputs	+12 to +24 VDC
Output Sink Current	up to 600 mA (one channel)
Output Sink Current	up to 600 mA (one channel in each I/O bank)
Logic Threshold (Logic 0)	< 0.8 VDC
Logic Threshold (Logic 1)	> 2.2 VDC
Protection (Sinking)	Over Temp, Short Circuit
Protection (Sourcing)	Transient Over Voltage, Inductive Clamp
Analog Input	
Resolution	10 Bit
Range (Voltage Mode)	0 to +5 VDC, 0 to +10 VDC
Range (Current Mode)	4 to 20 mA, 0 to 20mA
Clock I/O	
Types	Step/Direction, Up/Down, Quadrature
Logic Threshold	+5V TTL Input, TTL Output (with 2 kΩ load to ground)
Trip Output/Capture Input	
Logic Threshold	+5V TTL Input, TTL Output (with 2 kΩ load to ground)

Communications Specifications	
Protocol	RS-422/RS-485
BAUD Rate	4.8k, 9.6k, 19.2k, 38.4k, 115.2 kbps
CANopen Option	
Protocol	CAN 2.0B Active
Communications Profile	CIA DS-301
BAUD Rate	10, 20, 50, 125, 250, 500, 800 kBit/s, 1MBit/s (default)
Note: 800 kbps not supported by the MD-CC500-000 USB to CANopen dongle.	

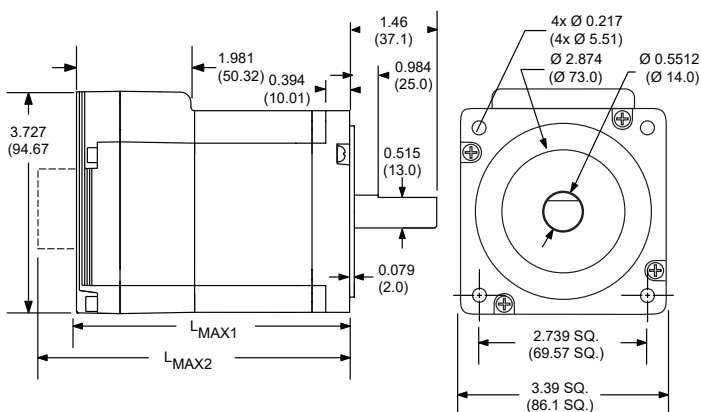
Motion Specifications	
Microstep Resolution - Open Loop	
Number of Resolutions	20

Available Microsteps Per Revolution	Available Microsteps Per Revolution					
	1	2	4	5	8	
per step	1	2	4	5	8	
per rev.	200	400	800	1000	1600	
per step	10	16	25	32	50	
per rev.	2000	3200	5000	6400	10000	
per step	64	100	125	128	200	
per rev.	12800	20000	25000	25600	40000	
per step	250	256	180	108	127	
per rev.	50000	51200	36000 ¹	21600 ²	25400 ³	

1=0.01 deg/μstep 2=1 arc minute/μstep 3=0.001 mm/μstep

Software Specifications	
Program Storage Type/Size	Flash/6384 Bytes
User Program Labels and Variables	192
Party Mode Addresses	62

Mechanical Specifications



Motor Length	Dimensions in inches (mm)	
	LMAX1 (Single Shaft or Internal Encoder)	LMAX2 (Control Knob)
Single	3.81 (96.77)	4.52 (114.81)
Double	4.60 (116.84)	5.31 (134.87)
Triple	6.17 (156.72)	6.88 (174.75)

